

# MHF<sup>®</sup> III Plug

## MHF<sup>®</sup> III Plug Cable Assembly

Mating profile : **1.6mm MAX.**

Applicable for AWG36 ( $\phi$  0.81mm /  $\phi$  0.64mm) Cable

### 【Part Number】

Ground Contact : **Au** Plating

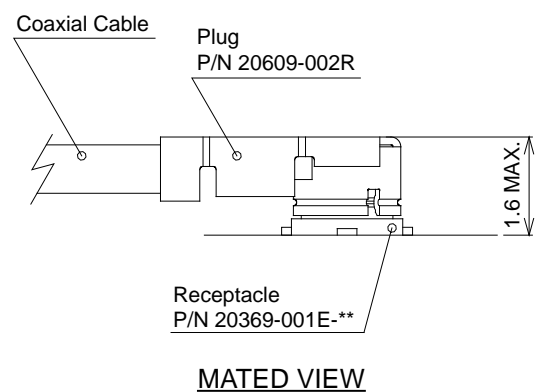
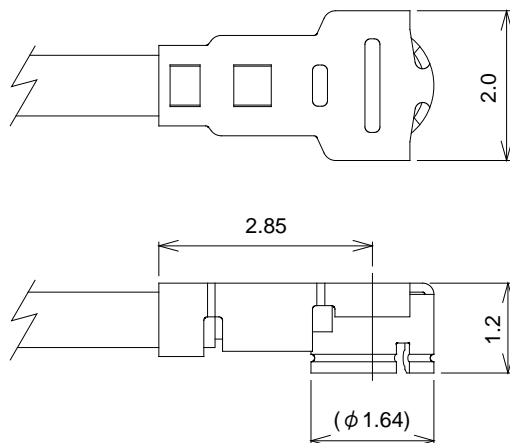
## 20609 - 002 R

Packing : Reel  
1 reel : 2,000pcs



### 【Applicable Cable gauge】

Part No.	20609-002R	
	for AWG#36	
Applicable Cable Nominal Dimension 		
Braided Shield of Outer Conductor	Single Braided Shield	Single Braided Shield [Spiral Shield]



### 【Material and Finish】

Parts	Material	Plating / Color
HOUSING	LCP UL94V-0	NATURAL
CONTACT	COPPER ALLOY	Au
GROUND CONTACT	COPPER ALLOY	Au (contact point) / Ni

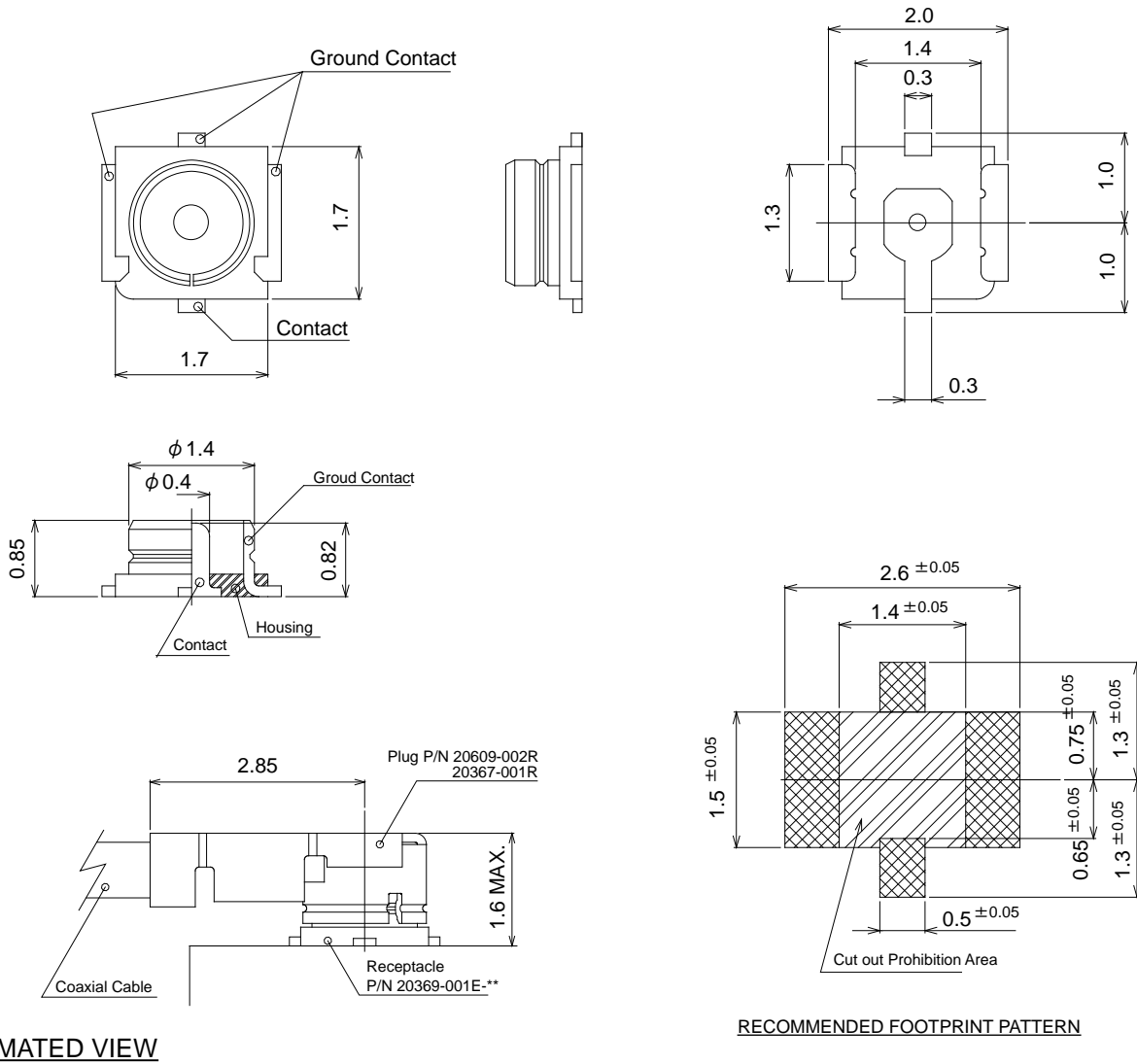
# MHF<sup>®</sup> III Receptacle

## 【Part Number】

Ground Contact : Au Plating

**20369-001 E -\*\*\***  
 ① ②

①	Packaging	Emboss Tape one reel : 5,000pcs	
②	Reel	Without	Corrugated paper reel
		-03	Plastic reel (recommend)



## 【Material and Finish】

Parts	Material	Plating / Color
HOUSING	LCP UL94V-0	BLACK
CONTACT	COPPER ALLOY	Au
GROUND CONTACT	COPPER ALLOY	Au